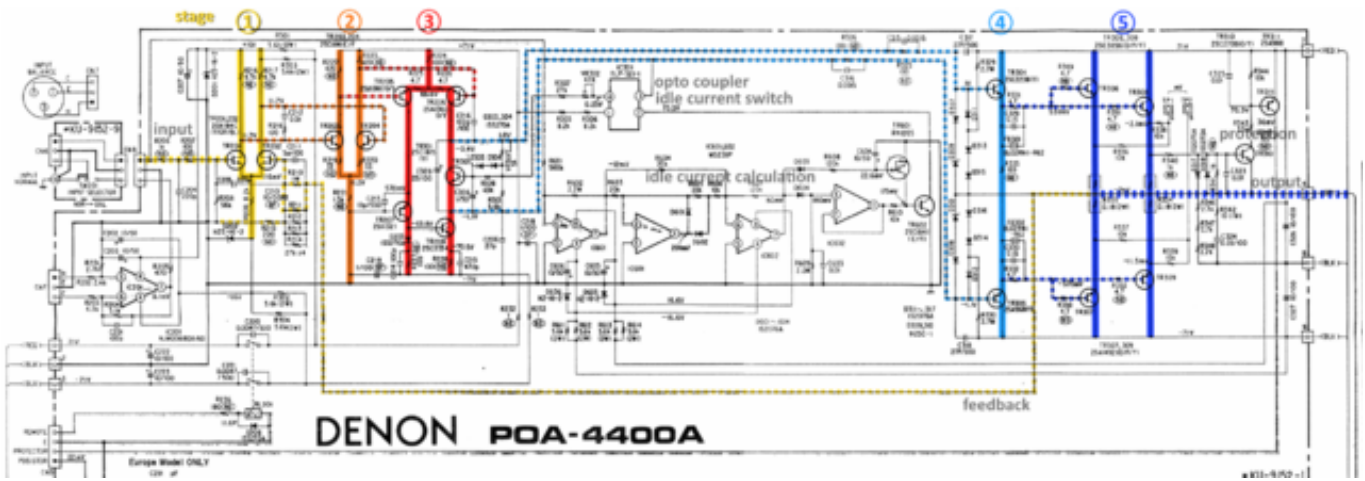

Download





[Denon Poa-4400 Service Manual](#)

Download



This manual is very good 303 pages scanned in a very high resolution Denon High Quality Service Manuals Schematics User Owner Instruction Manuals print reprint reproduction PDF FREE classic vintage audio stereo.

1. [denon service manual](#)
2. [denon service manual pdf](#)
3. [avr 1804 denon service manual](#)

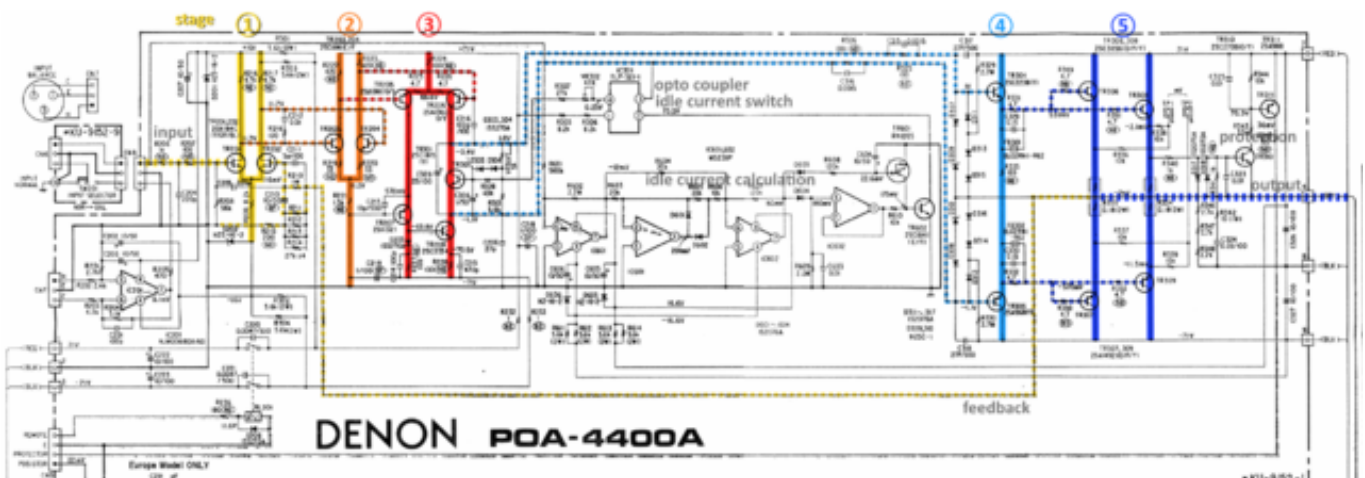
After placing order we'll send You download instructions on Your email address The manual is available in languages: German.

denon service manual

denon service manual, denon service manuals free, denon service manual pdf, denon service manual download, avr 1804 denon service manual, drm 710 denon service manual, avr 1508 denon service manual, denon rcd-m39dab service manual, denon dp-300f service manual, denon avr-1612 service manual, denon avr service manual, denon mcx8000 service manual, denon dp47f service manual, denon dp300f service manual, denon turntable service manual, denon dp23f service manual, denon pma510ae service manual [hesitant alien download](#)

It's invaluable source of information for everyone looking to repair their unit.. Unlike on the Panasonic MS1 manual I downloaded here it actually looks like the real parts look.. ;) DENON POA4400A Service Manual This service manual contains complete information included in original factory repair manual We guarantee that our manual contains circuit diagrams.

[Chopin Complete Edition Torrent Flac To Mp3](#)



[Download Driver Printer Canon Ir 2520 Error](#)

denon service manual pdf

[Driver Printer Nec P1200](#)

Service Manual (sometimes called Repair Manual) is used mainly by technicians.. Service manuals usually include printed circuit boards, block diagrams, exploded views, assembly instructions and parts catalog. [pdf converter pro key download free for android apk](#)

avr 1804 denon service manual

[Download Google Drive For Mac](#)

My camera has bad, leaking capacitors which all of the V5000 models are suffering from these days.. If You just want to know how to use Your tv, video, mp3 player etc You should look for Owner's Manual.. And the screws are labeled correctly, so you shouldn't have any left after the repair.. After placing order we'll send You download instructions on Your email address The manual has 17 pages and is available in English, German.. Service manuals usually contains circuit diagrams, printed circuit boards, repair tips, wiring diagrams, block diagrams and parts list.. If You just want to know how to use Your tv, video, mp3 player etc You should look for Owner's Manual. e828bfe731 [Adobe Master Suite Cs6 Crack Mac](#)

e828bfe731

[Coolsat Serial Downloader](#)